



# PRESSURE REDUCING VALVES

## 143MM EUROPRESS pressure reducing valve with union connection

EUROPRESS



SIZE	PRESSURE	CODE	PACKING
1/2" (DN 15)	25bar/362.5psi	1430012MM	1/34
3/4" (DN 20)	25bar/362.5psi	1430034MM	1/24
1" (DN 25)	25bar/362.5psi	1430100MM	1/18
1"1/4 (DN 32)	25bar/362.5psi	1430114MM	1/9
1"1/2 (DN 40)	25bar/362.5psi	1430112MM	1/9
2" (DN 50)	25bar/362.5psi	1430200MM	1/6

### CERTIFICATIONS



### TECHNICAL SPECIFICATIONS

Compensated piston operation.

Union connections.

Body in nickel-plated brass.

Minimum and maximum working temperatures: 0°C, 80°C.

Maximum inlet pressure: 25 bar.

Outlet pressure:

1/2" - 3/4" - 1" between 1 and 5,5 bar.

1"1/4 through 2" between 1 and 6 bar.

Factory preadjustment 3 bar.

Outlet pressure gauge connection 1/4" on both sides.

Threads: ISO 228 (equivalent to DIN EN ISO 228 and BS EN ISO 228).

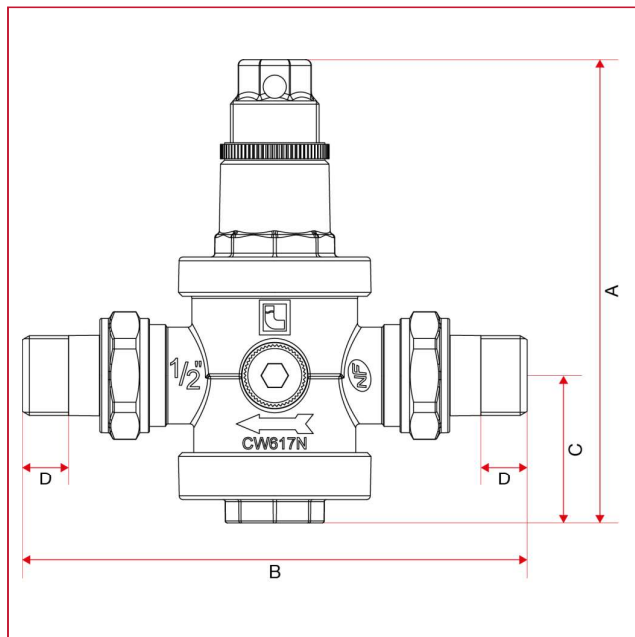
Multithread model available in 1/2" size.

NF approved in 1/2 "and 3/4" sizes



# PRESSURE REDUCING VALVES

## OVERALL DIMENSIONS

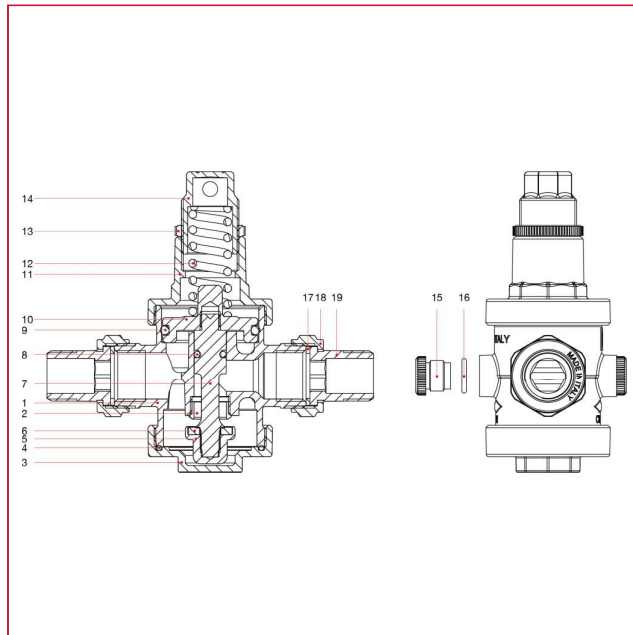


	1/2"	3/4"	1"	1"1/4	1"1/2	2"
DN	15	20	25	32	40	50
A	131	135	156	177	188	213
B	124	124	159	220	220	248
C	38,5	38,5	56	68	68	86,5
D	12	12	14	16	16	17
Kg/cm <sup>2</sup> bar	25	25	25	25	25	25
LBS - psi	362,5	362,5	362,5	362,5	362,5	362,5



# PRESSURE REDUCING VALVES

**MATERIALS** sizes 1/2" through 1"

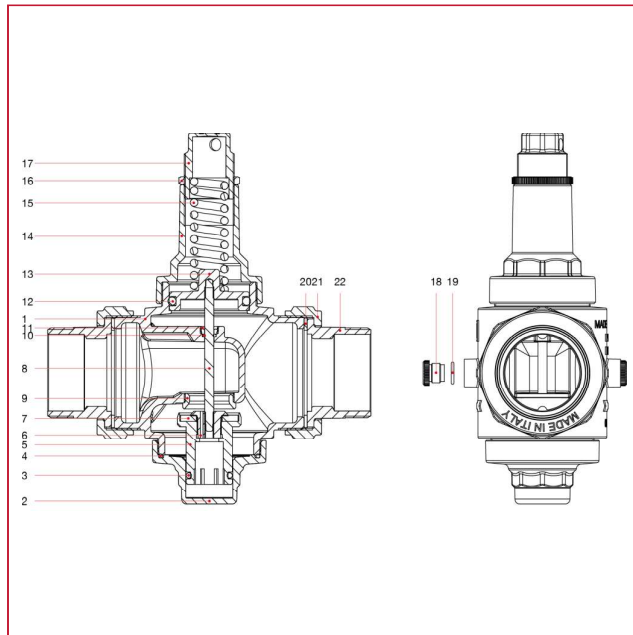


POS.	DESCRIPTION	N.	MATERIAL
1	Body	1	Nickel-plated brass CW617N
2	Seat	1	Stainless steel AISI 303
3	Bottom plug	1	Nickel-plated brass CW617N
4	O-ring	1	EPDM
5	Shutter	1	Brass CW614N
6	Flat seat washer	1	EPDM
7	Stem	1	Brass CW614N
8	O-ring	1	EPDM
9	O-ring	1	EPDM
10	Diaphragm	1	Brass CW617N
11	Upper plug	1	Nickel-plated brass CW617N
12	Spring	1	EN 10270-1 DH
13	Nut	1	Polimero
14	Regulator	1	Nickel-plated brass CW617N
15	Cap	2	Polymer
16	O-ring	2	EPDM
17	Flat seat washer	2	Red fiber
18	Nut	2	Nickel-plated brass CW617N
19	Fitting with flat seat	2	Nickel-plated brass CW617N



# PRESSURE REDUCING VALVES

## MATERIALS sizes 1"1/4 through 4"



POS.	DESCRIPTION	N.	MATERIAL
1	Body	1	Nickel-plated brass CW617N
2	Bottom plug	1	Nickel-plated brass CW617N
3	O-ring	1	NBR
4	O-ring	1	NBR
5	Shutter	1	Brass CW614N
6	Stop washer	1	Brass CW614N
7	Flat seat washer	1	NBR
8	Stem	1	Stainless steel AISI 303
9	Seat	1	Stainless steel AISI 303
10	O-ring	1	NBR
11	Stop ring	1	Brass CW625N
12	O-ring	1	NBR
13	Diaphragm	1	Brass CW617N
14	Upper plug	1	Nickel-plated brass CW617N
15	Spring	1	EN 10270-1 SM/SH
16	Nut	1	Polymer
17	Regulator	1	Nickel-plated brass CW617N
18	Cap	2	Polimero
19	O-ring	2	EPDM
20	Washer	2	FASIT NBR
21	Nut	2	Nickel-plated brass CW617N
22	Fitting with flat seat	2	Nickel-plated brass CW617N



# PRESSURE REDUCING VALVES

## LOSS DIAGRAM (With water)

